

"This will become a classic."—ANNE RICE, author of *Christ the Lord: Out of Egypt*

SIMPLY CHRISTIAN

†

Why Christianity Makes Sense

N. T. WRIGHT

Simply Christian

18 November 2012

simplychristian.eklund.io

Part Three: Reflecting the Image

- Worship
- Prayer
- The Book God Breathed
- The Story and the Task
- Believing and Belonging
- New Creation, Starting Now

http://www.youtube.com/watch?v=Ar_k8JjVWQA

You are dismissed.

Best Selling Books

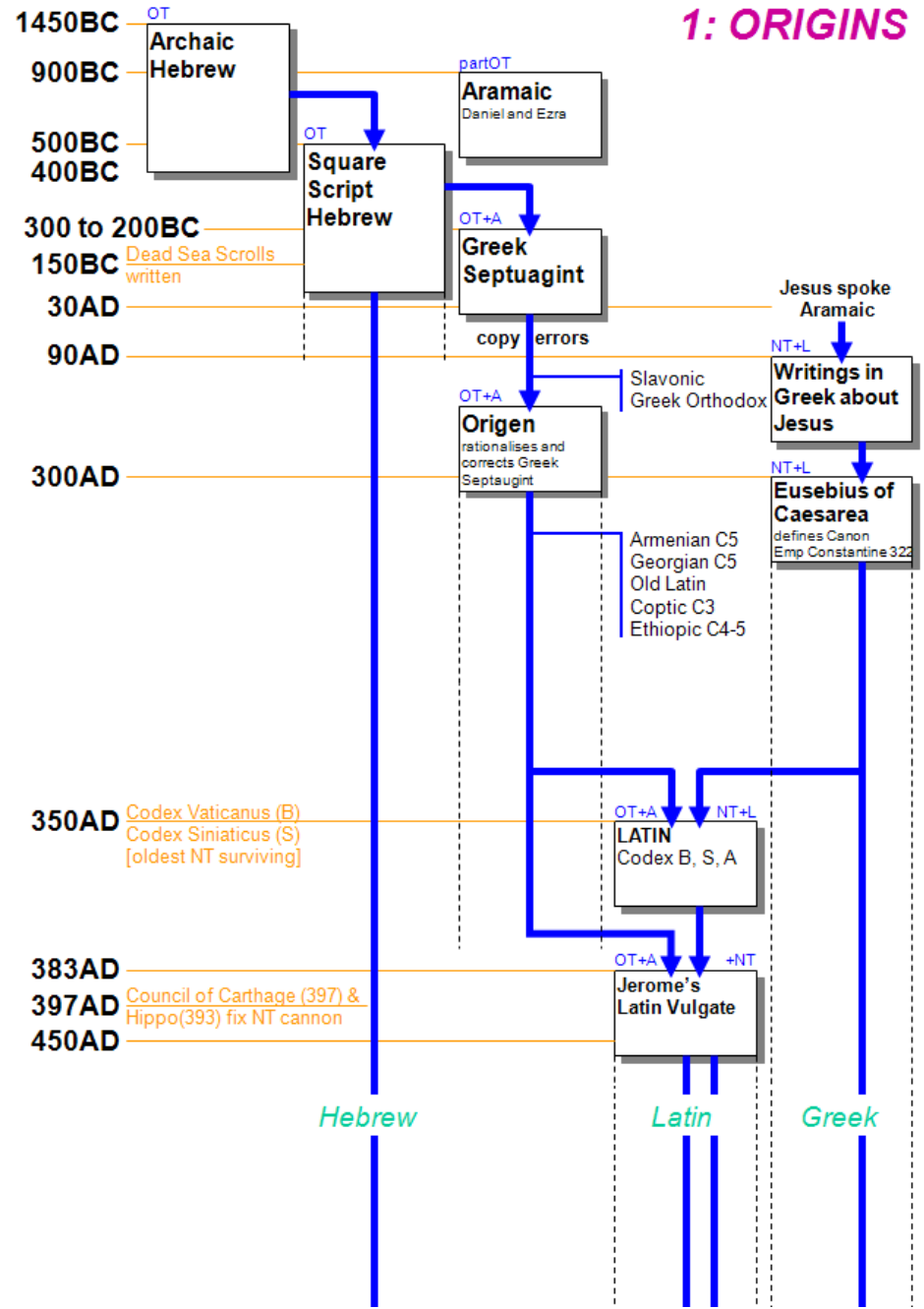
- The Bible (2.5-6 billion copies)
- Quotations from Chairman Mao (about 1 billion)
- The Qu'ran (800 million)
- Chairman Mao's poems (400 million copies)
- Selected article of Mao Zedong (250 million)
- A Tale of Two Cities (200 million)
- Scouting for Boys, The Lord of the Rings, The Book of Mormon (150 million)
- The Truth that Leads to Eternal Life, Harry Potter and the Sorcerer's Stone (110 million)

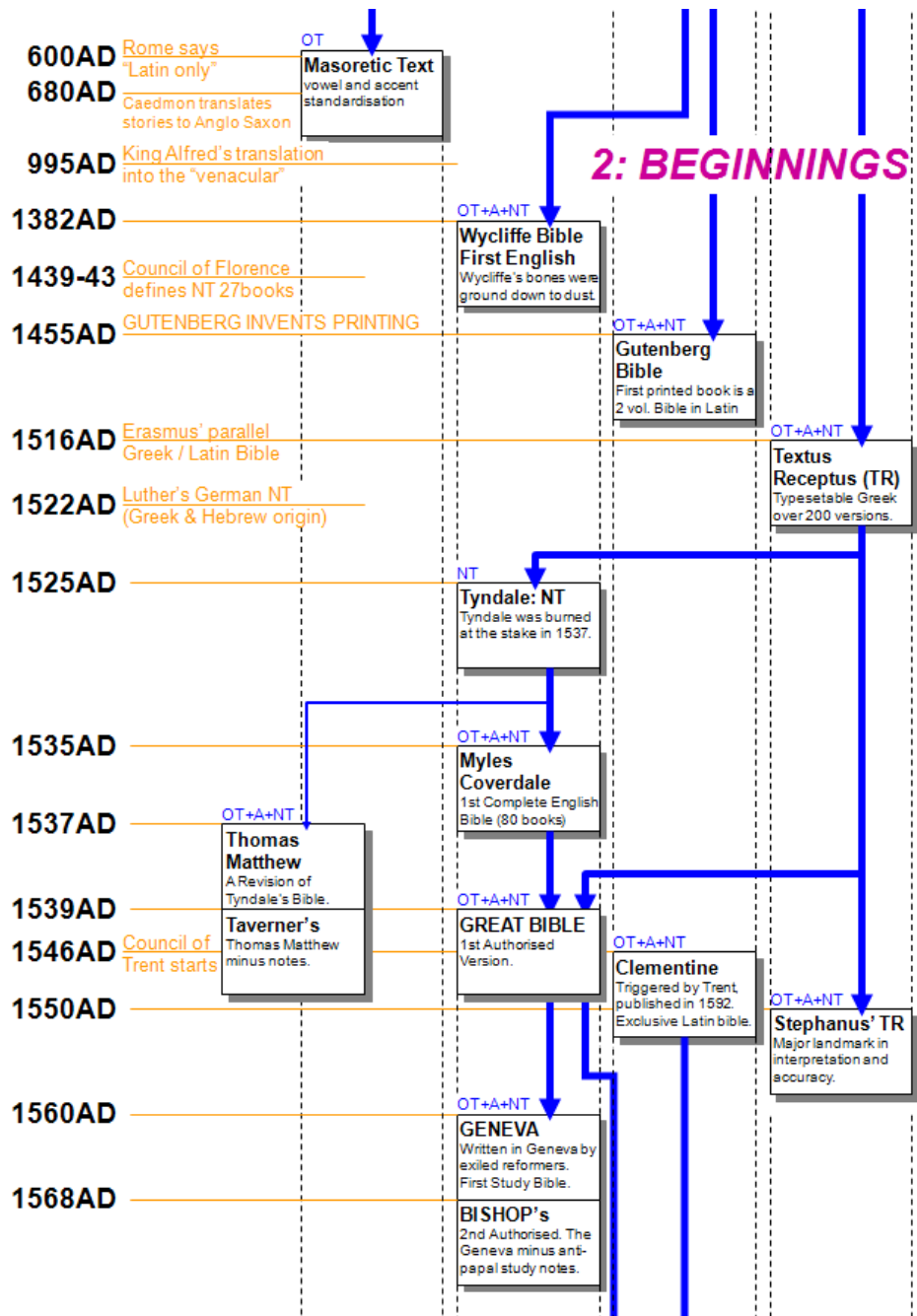
<http://holiness-snake-handlers.webs.com/>

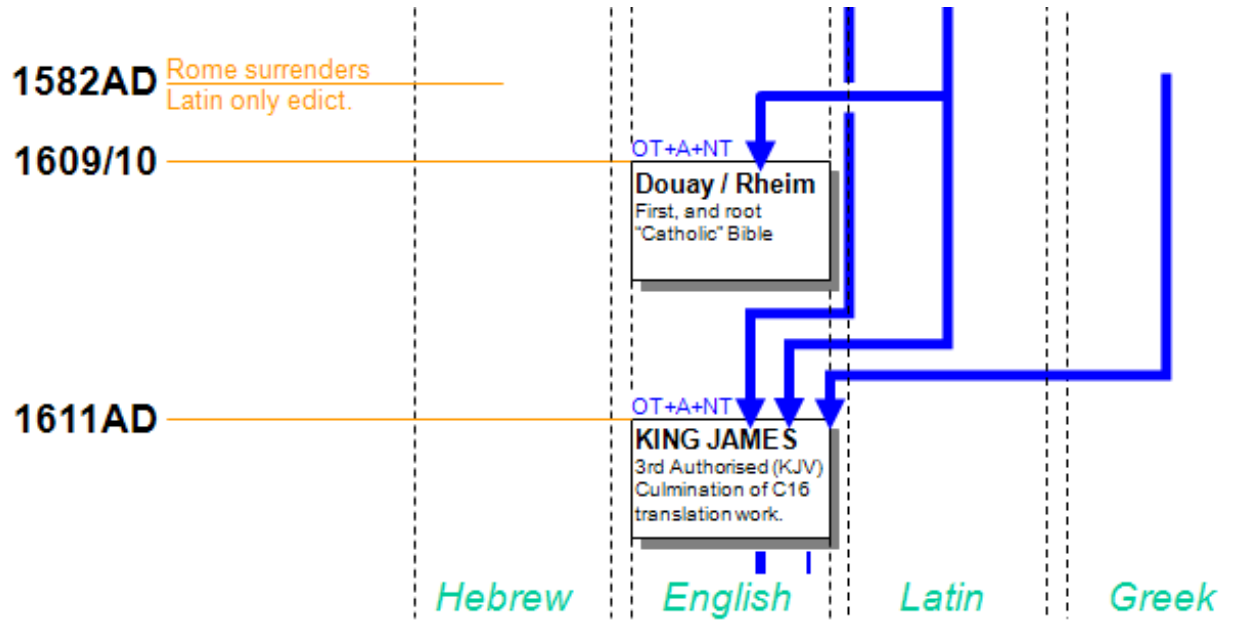
The Old Testament

- The Torah or the Law
 - The first 5 books
- The Prophets
 - What we sometimes call the history books (Kings, Samuel
 - The major and minor prophets
- Writings. (Psalms, Proverbs, Daniel, Esther, Song of Solomon, Job, etc.)

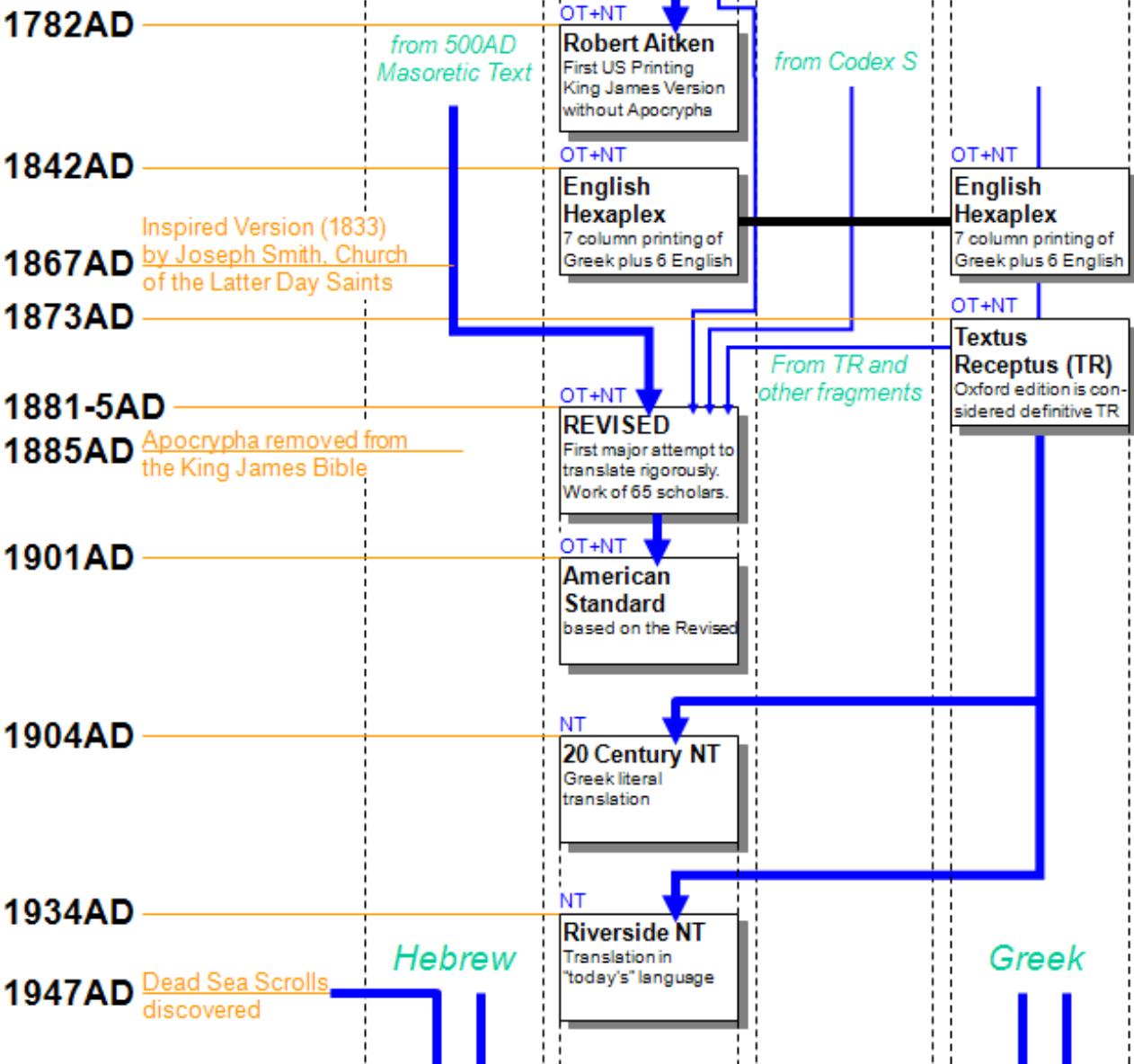
1: ORIGINS



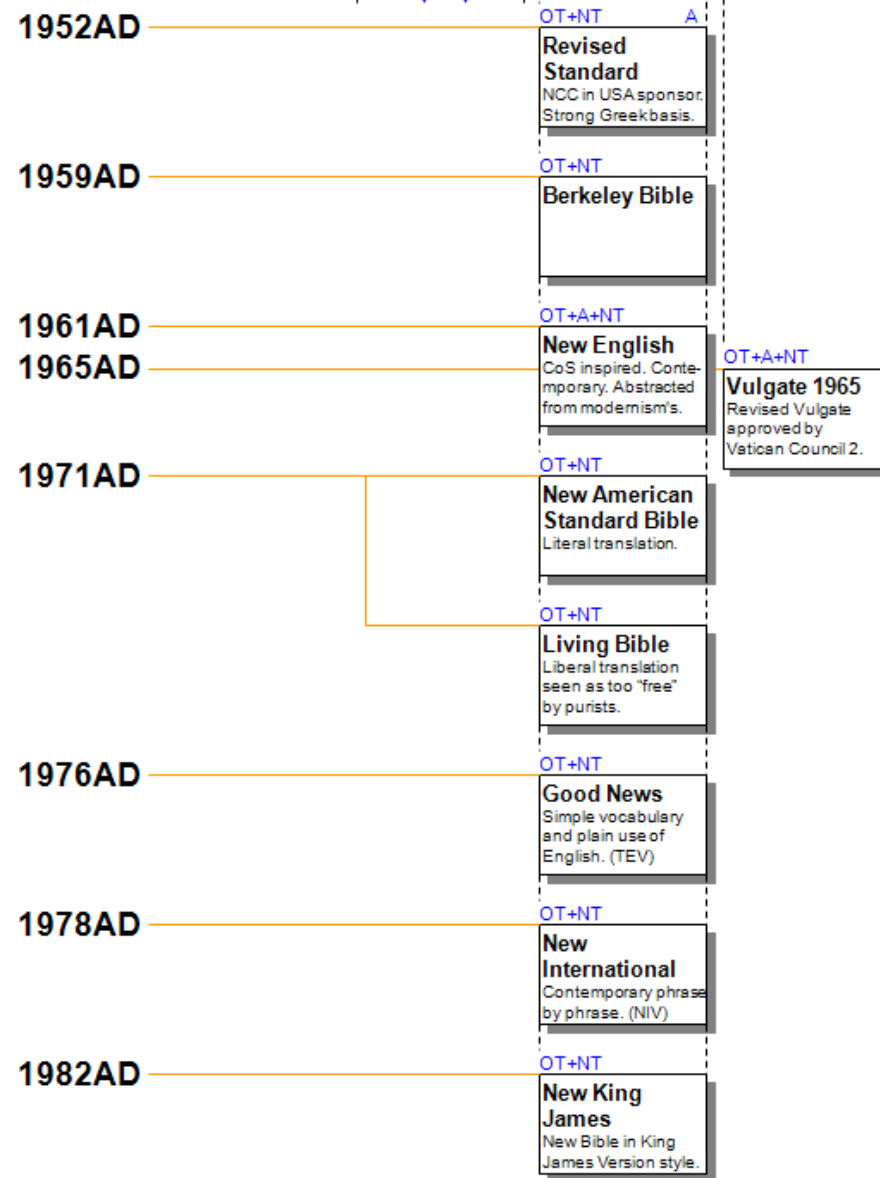




3: post KING JAMES



4: post DEAD SEA SCROLLS



Reading Helps: Books

- Book of Common Prayer
- Divine Hours (compiled by Phyllis Tickle)
- Common Prayer, A Liturgy for Ordinary Radicals
- Celtic Daily Prayer

Reading Help: On Line

- Daily readings via web or email:
<http://www.presbyterianmission.org/ministries/devotions/>
- Google “daily scripture readings” for many other examples.
- The iPhone/iPad app YouVersion has several options for daily readings as well as 36 English versions of the Bible and lots of other languages.

Next week

- Read
 - Chap. 15: *Believing and Belonging* (18 pages)
 - Chap. 16: *New Creation, Starting Now* (22 pages)
 - I'll post some notes I took while reading the book on the BLOG (simplychristian.eklund.io)
- I will also post the material from today on the BLOG.